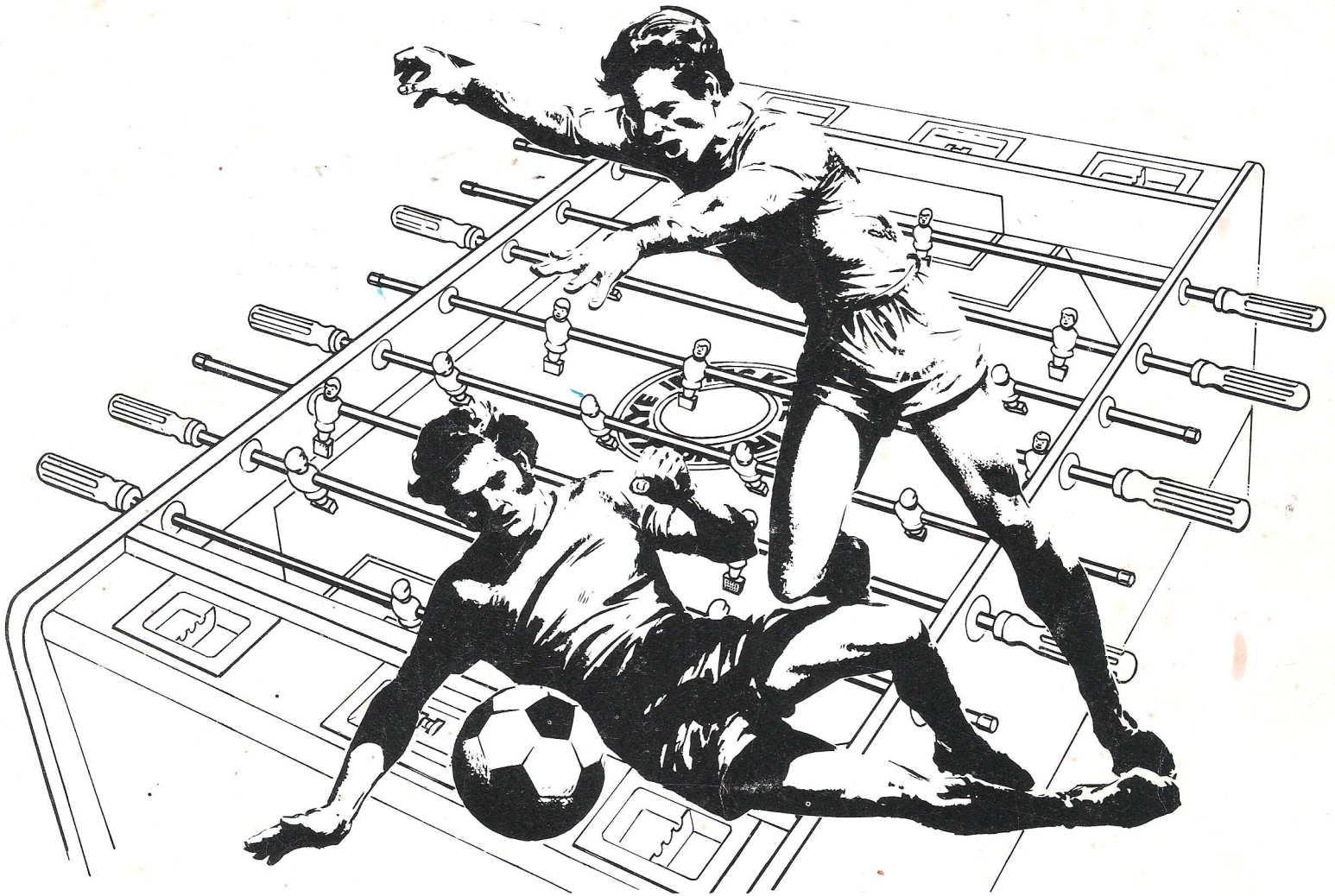


Irving Kaye Co., Inc.

CATALOG NO. 13



SOCCKER

PARTS CATALOG

TABLE OF CONTENTS

SOCCER MEN	PART NO.	PAGE
Aluminum Man	110, 111	2
Hurricane & Texas Ranger Men	102, 103 104, 105 106, 107	1
Standard Super Soccer Man (German Style)	100, 101	1
SOCCER BALLS		
Cork Ball	117	2
Hollow Plastic Ball	118	2
Jumbo Super Soccer Ball	119	2
Hurricane & Texas Ranger Ball	116	2
Standard Super Soccer Ball	114, 115	2
STEEL SOCCER RODS		
Special Alloy Chrome Rods	120, 121 122, 123	3
Exclusive Fiber Glass Rods	124, 125 126, 127	3
Jumbo Fiber Glass Rods	128, 129 130, 131	3
HANDLES		
Wood German Style	133, 134	3
Hurricane Handle	136	3
Wood Texas Ranger Handle	135	3
Rubber Handle New Style	132	3

MISCELLANEOUS PARTS

PART	PART NO.	PAGE
Ash Tray — Super Soccer	153	5
Bearing — Super Soccer Standard	143	4
Bearing — Super Soccer with ball bearing	144	4
Bearing — Hurricane	145	5
Bumper — Rubber	138	4
Cash Box (Steel) For All Kaye Games	146	6
Casters	152	5
Cap — Plastic, Rod	154	6
Coin Chutes	157-160	6
Collet — Plastic	137	4
Cup — Ball	148	5
Flags — Plastic	161-164	6
Leg — Aluminum (Super Soccer)	156	6
Lock	147	5
Mechanism (All Soccers)	155	6
Screw — For Bearing	141	4
Special Screw and Nuts for men and Collets	140	4
Spring — Nylon	142	4
Spring — Steel	139	4
Scoring Unit (Super Soccer)	149	5
Washer — Fiber	150	4
Washer — Nylon	151	4

PARTS NOT PICTURED IN CATALOGUE

PART	PART NO.	PAGE
Ash Tray — Plastic	172	6
Door — Service For Super Soccer (Older Style)	173	6
Door — Service For Super Soccer (Steel)	174	6
Door — Service For Hurricane (Wood)	175	6
Drink Grid — Plastic For Hurricane	178	6
Drink Holder — Aluminum For Super Soccer & Texas Ranger	180	6
Glass — Textured	168	6
Leg Bolt — For Super Soccer & Texas Ranger	176	6
Leg Bolt and Nut For Hurricane	177	6
Lock — 1175 For All Service Doors	165	6
Lock — Random Keyed Cash Box	166	6
Paper Screen For under Playfield of Hurricane & Texas Ranger	170	6
Playfield — Formica Surface Super Soccer	167	6
Playfield — Textured Glass For Hurricane & Texas Ranger	170	6
Scoring Beads For Hurricane	171	6

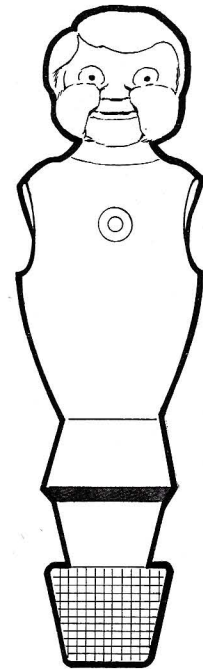
CONDITIONS OF SALE

All prices are F.O.B. factory Brooklyn, New York and subject to change without notice. Packages will be shipped via U.P.S. and Parcel Post whenever possible. Larger shipments by truck at our discretion unless otherwise notified. All claims against invoices must be made within 10 days of the date of invoice. Concealed and exposed damage claims must be filed against the transportation Company. We do not insure delivery or safe arrival of merchandise. Our responsibility ceases upon delivery to the transportation company in good order. Merchandise may not be returned without written permission.

Minimum order is \$5.00. We will add the difference to invoice as service charge if invoice is less than \$5.00.

STANDARD SUPER SOCCER MAN (GERMAN STYLE)

This is the man used for all our standard Super Soccer Games. It is made of solid vinyl and virtually indestructible. The vinyl allows for a slight degree of flex which is desirable in many areas for superior ball control. Available in Red and Blue with hand painted detail. (Standard Size: Meets all official specifications).
 # 100 Red # 101 Blue



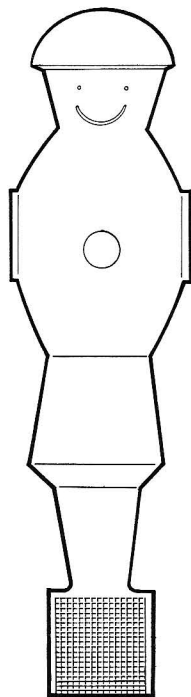
Red # 100 # 101 Blue

Recommended for use on smooth surface playfields

TEXAS RANGER AND HURRICANE MEN

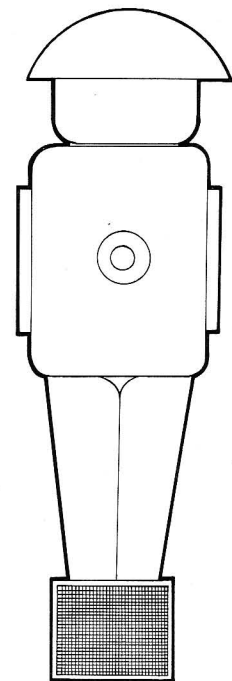
Originating in Texas these men have gained favor in other areas as well. They are constructed of a special compound, very rigid plastic. The Foot of these men are precision machined for exceptional ball control. (Standard Size: Meets all official specifications). Style A can be ordered counter balanced or standard. Style B is available counter balanced only. The counter balanced man allows the player to keep the rod in any desired position.

TEXAS RANGER



Style A

HURRICANE



Style B

We recommend using these men with textured glass playfields and textured balls.

	Orange	Black	Maroon	Blue
Standard	# 102	# 103	# 106	# 107
(Counter Balanced)	# 104	# 105	(Counter Balanced Only)	

WOOD MAN

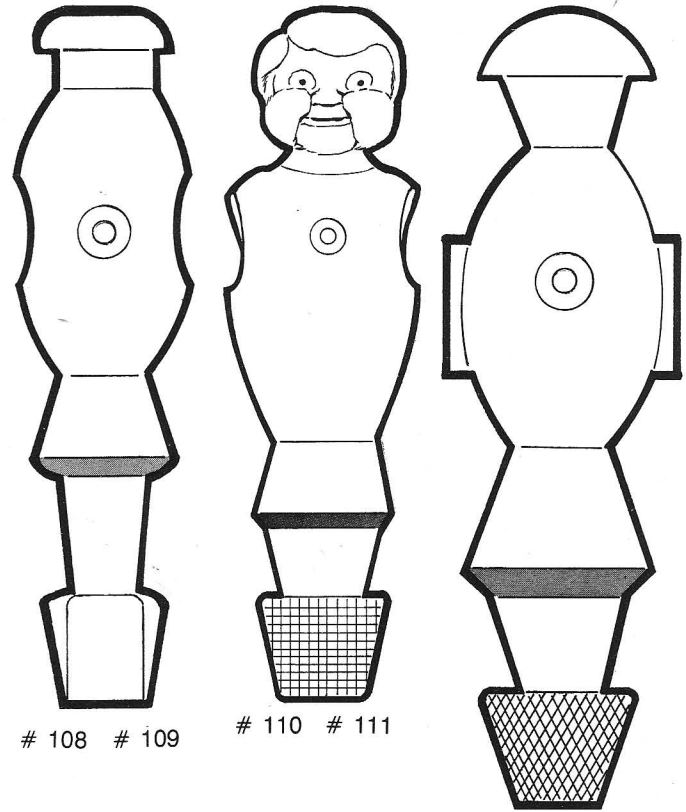
Made of Kiln dried hard wood. Available in Red and Blue . (Standard Size: Meets all official specifications)
 # 108 Red # 109 Blue

ALUMINUM MAN

This man is identical to the standard vinyl man, but is specifically designed for telescopic rod machines. Available in Red and Blue (Standard Size: meets all specifications)
 # 110 Red # 111 Blue

JUMBO ALUMINUM MAN

For use on Jumbo Super Soccers ONLY Available in Black and Orange # 112 Black # 113 Orange



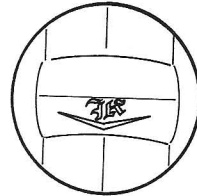
108 # 109

110 # 111

112 # 113

STANDARD SUPER SOCCER BALLS

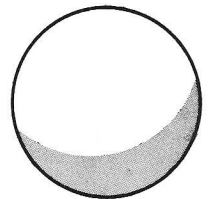
This ball is made of a specially formulated solid plastic to allow for just the right effect in passing and dribbling. Realistically engraved: Available in Yellow or White (Standard Size: meets all specifications official).
 # 114 Yellow # 115 White



114
 # 115

HURRICANE AND TEXAS RANGER BALL

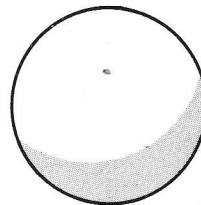
More resilient than the standard ball and the choice of players in Texas and surrounding states. This ball is specially textured to complement textured glass play fields. Solid White no lines (Standard Size: meets all official specifications) # 116



116

CORK BALL

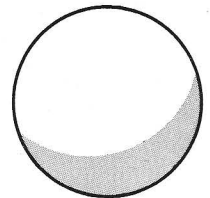
Compound Cork preferred by players in some areas. Solid White no lines. (Standard Size meets all specifications)
 # 117



117

HOLLOW PLASTIC BALL

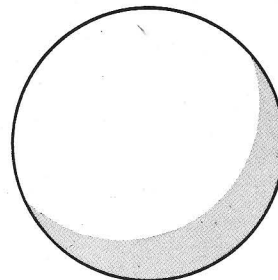
Precision ground and recommended for glass enclosed machines. Yellow no lines (Standard Size: meets all official specifications).
 # 118



118

JUMBO SUPER SOCCER BALLS

Made of resilient plastic and for use on Jumbo Soccers only. White no lines (Standard Size: meets all official specifications).
 # 119



119

STEEL SOCCER RODS

Special Alloy Heavy Steel, Chrome Plated
 Walls are 1/8" thick.
 Rods come with end caps and new style rubber handles.
 (Wood on request)

- Complete Set of 8.....# 120
- 2 Hole Rod.....# 121
- 3 Hole Rod.....# 122
- 5 Hole Rod.....# 123

(Standard Size: meets all official specifications.)

EXCLUSIVE FIBER GLASS RODS

For those locations where bent rods are a constant Problem and the additional flex of the fiber glass is acceptable. Rods come with end caps and rubber handles.

- Set of 8.....# 124
- 2 Hole Rod.....# 124
- 3 Hole Rod.....# 126
- 5 Hole Rod.....# 127

(Standard Size: meets all official specifications.)

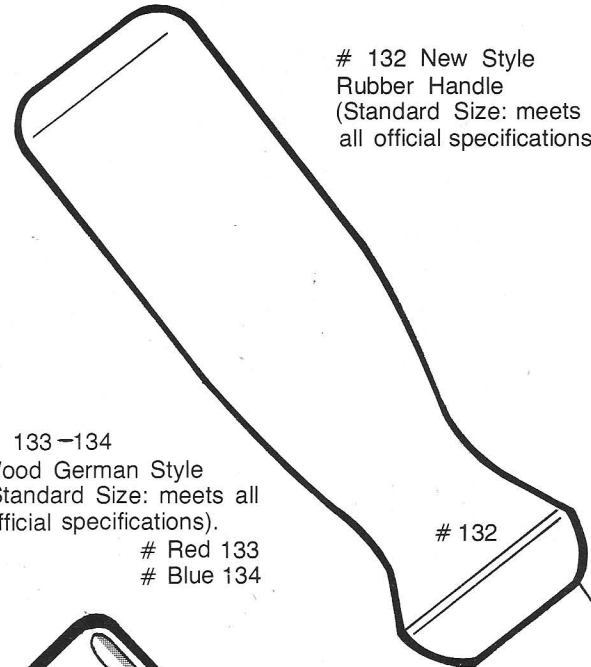
JUMBO FIBER GLASS RODS

For use on Jumbo Super Soccer Soccers Only.

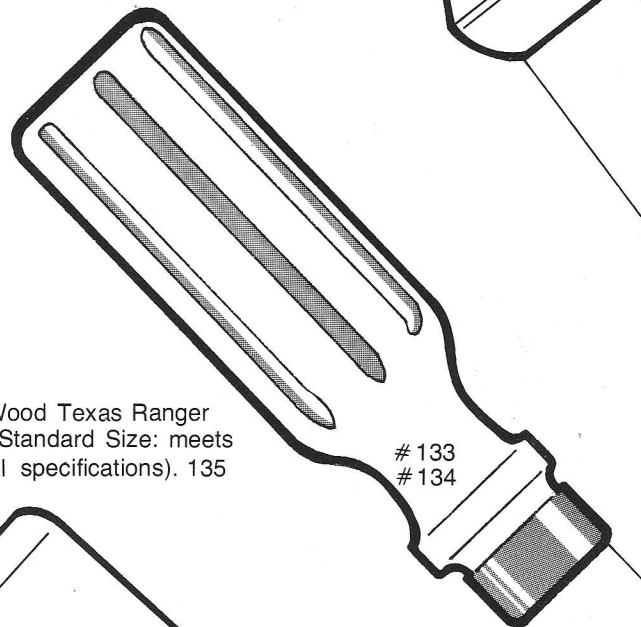
- Set of 8.....# 128
- 2 Hole Rod.....# 129
- 3 Hole Rod.....# 130
- 5 Hole Rod.....# 131

(Standard Size: meets all official specifications.)

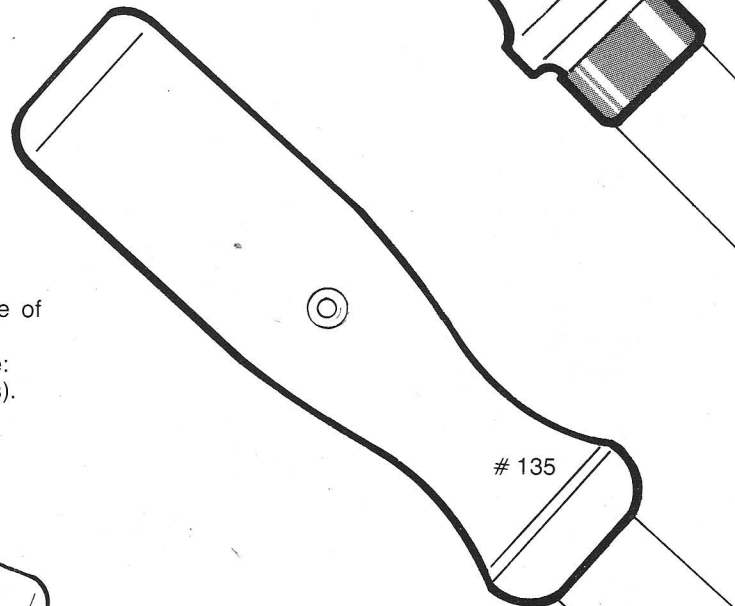
132 New Style Rubber Handle
 (Standard Size: meets all official specifications).



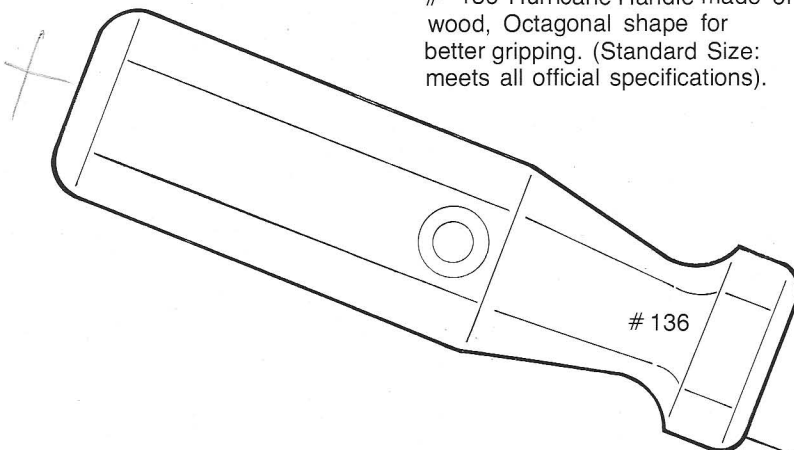
133-134 Wood German Style
 (Standard Size: meets all official specifications).
 # Red 133
 # Blue 134

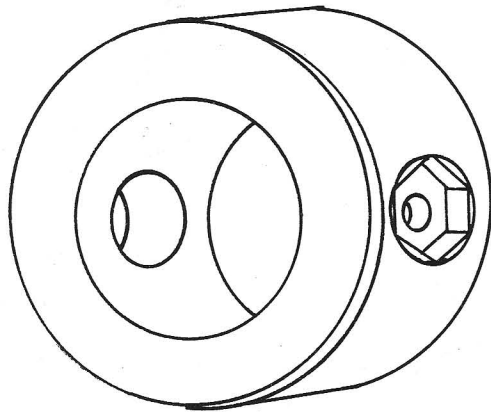


135 Wood Texas Ranger Handle (Standard Size: meets all official specifications). 135



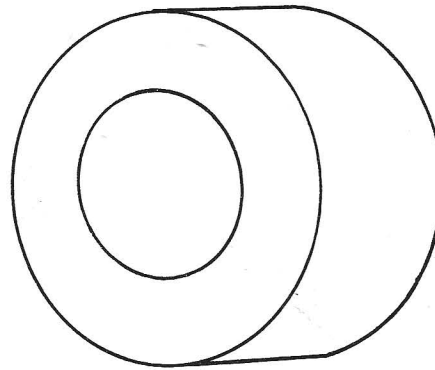
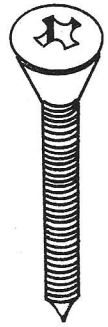
136 Hurricane Handle made of wood, Octagonal shape for better gripping. (Standard Size: meets all official specifications).



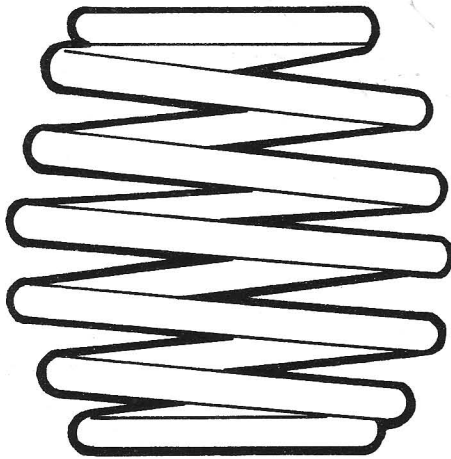


137 Plastic Collet

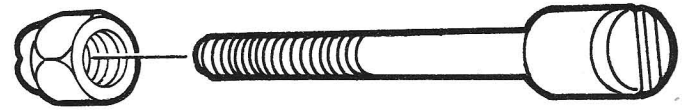
141 Screw to hold Bearings to cabinet
(Special type Bushing)



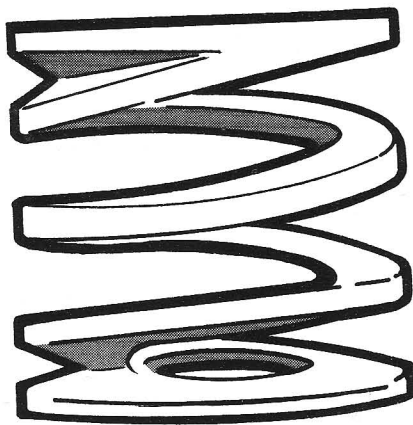
138 Rubber Bumper



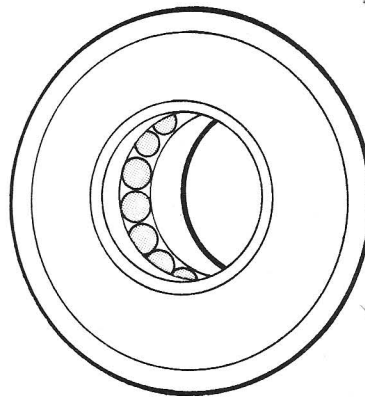
139 Steel Spring



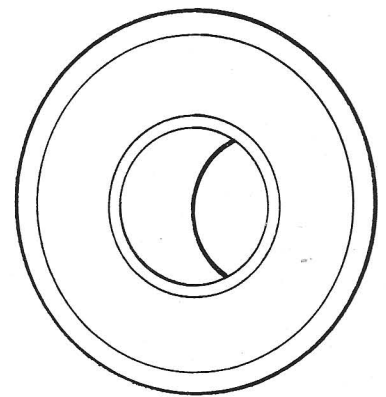
140 Special Screw for holding men & Collets
(comes with nuts)



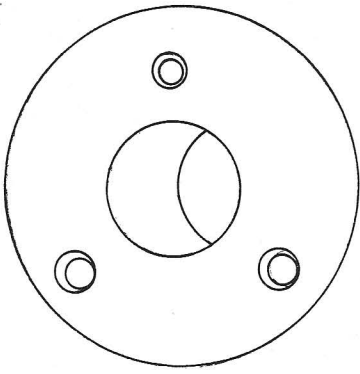
142 Nylon Spring



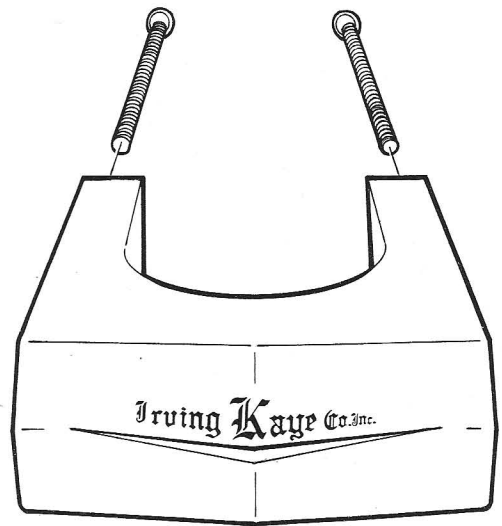
144 Standard 2 Part
Nylon Bearing
with Ball Bearing
(Super Soccer)



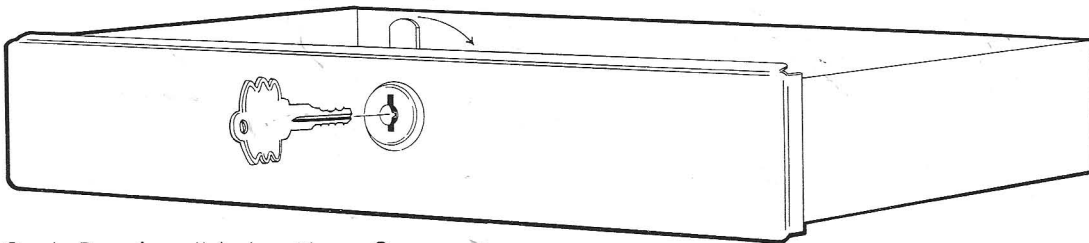
143 Standard 2 Part
Nylon Bearing
No Ball Bearing
(Super Soccer)



145 Hurricane Bearing

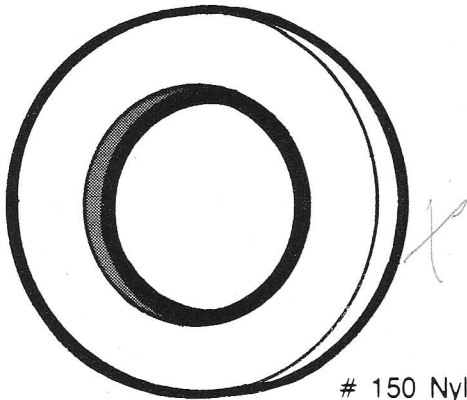


148 Cast Aluminum Ball Cup with mounting screw



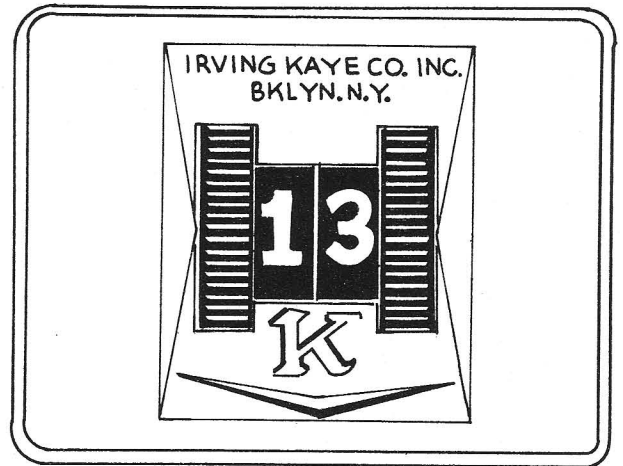
146 Steel Cash Box for all Irving Kaye Games

147 With Lock

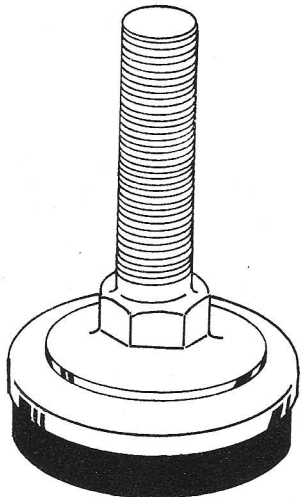


150 Nylon Washer

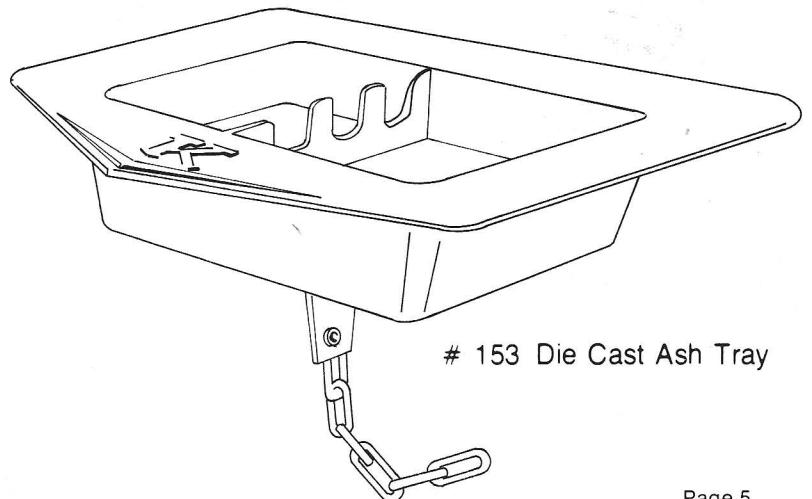
151 Fiber Washer



149 Die Cast Scoring Unit

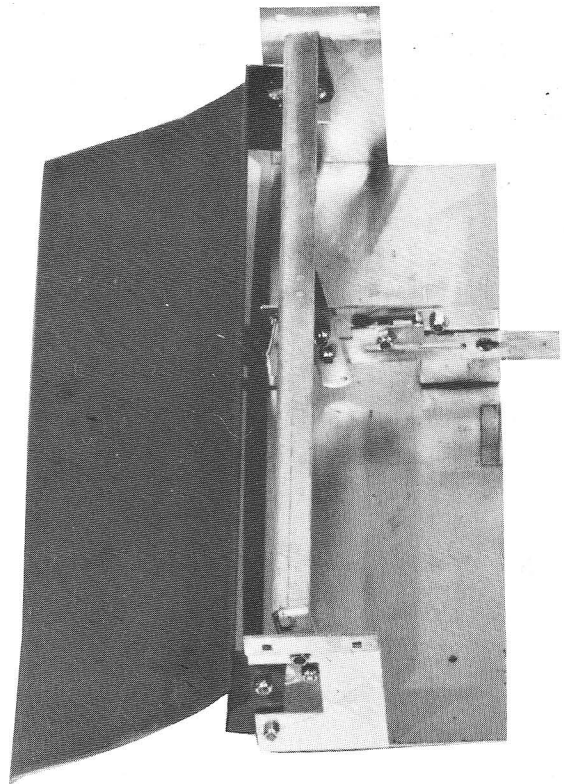
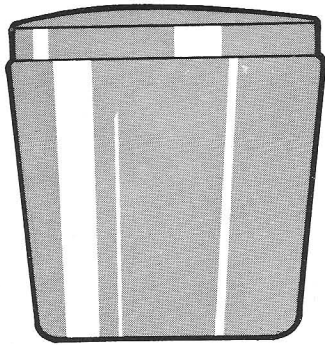


152 Caster for All Irving Kaye Soccer Games

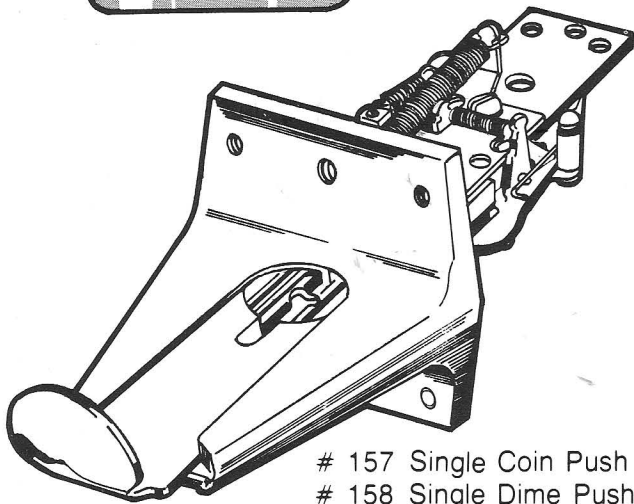


153 Die Cast Ash Tray

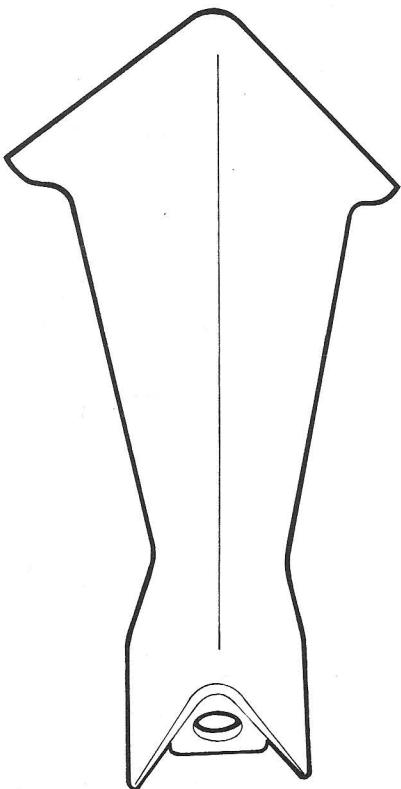
154 Plastic Rod Cap



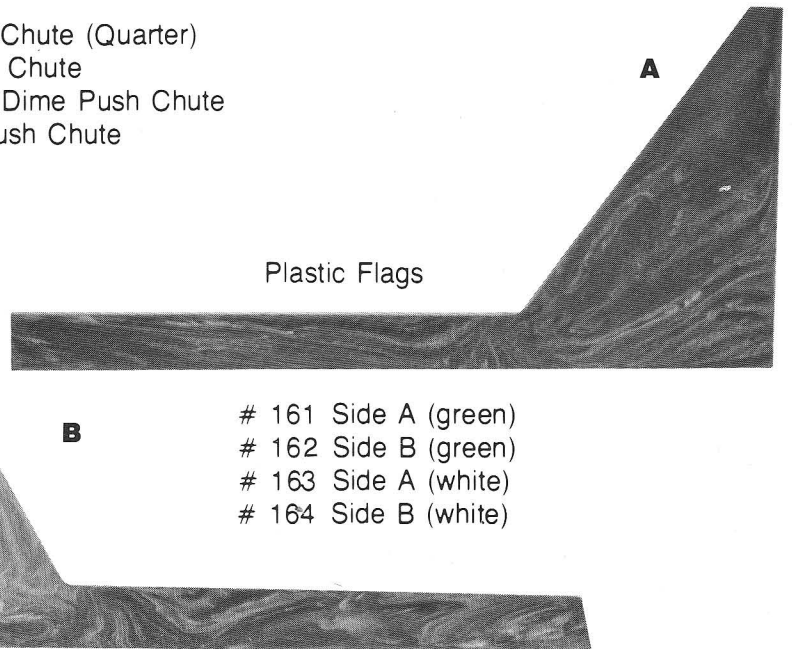
155 Complete Mechanism for all Irving Kaye Soccer Games



- # 157 Single Coin Push Chute (Quarter)
- # 158 Single Dime Push Chute
- # 159 One Quarter One Dime Push Chute
- # 160 Double Quarter Push Chute



156 Aluminum leg for Standard Super Soccer



Plastic Flags

- # 161 Side A (green)
- # 162 Side B (green)
- # 163 Side A (white)
- # 164 Side B (white)

PARTS NOT PICTURED IN CATALOGUE

- # 165 No. 1175 Lock and Key for Service Doors.
- # 166 Random Keyed Cash Box Lock
- # 167 Formica Surface Super Soccer Playfield (complete)
- # 168 Textured Glass Playfield for Hurricane and Texas Ranger Soccer Games (complete)
- # 169 Textured Glass Only
- # 170 Screened Paper for under Playfield of Hurricane and Texas Ranger
- # 171 Scoring Beads for Hurricane (complete with posts)
- # 172 Plastic Ash Tray for Hurricane
- # 173 Older Style Wood Service Door For Super Soccer
- # 174 Steel Service Door for Standard Super Soccer
- # 175 Wood Service Door for Hurricane
- # 176 Leg Bolt For Super Soccer and Texas Ranger
- # 177 Leg Bolt and Nut for Hurricane
- # 178 Plastic Drink Grid For Hurricane
- # 179 Leg For Hurricane (Wood)
- # 180 Aluminum Drink Holder For Super Soccer And Texas Ranger

FOLD HERE

PLACE
STAMP
HERE

IRVING KAYE Co., Inc.
363 Prospect Place
Brooklyn, New York 11238

FOLD HERE

STAPLE

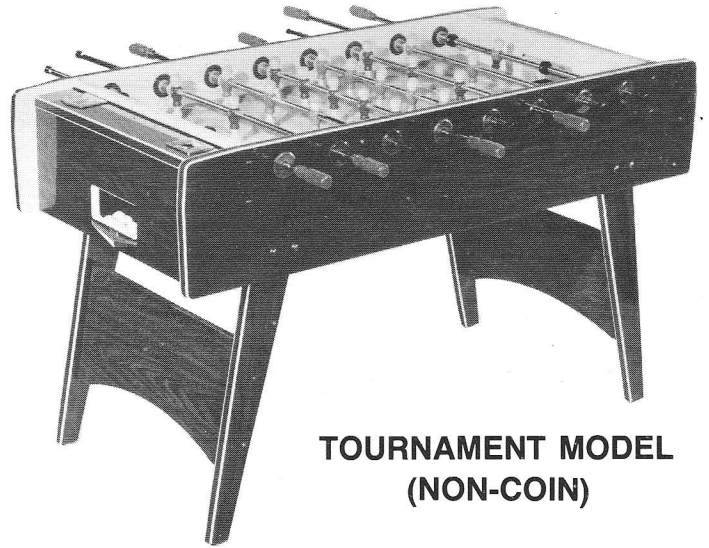
**IRVING KAYE CO.
THE WORLD LEADER IN
QUALITY SOCCER GAMES**



**THE TEXAS RANGER
(COIN-OPERATED)**



**SUPER SOCCER
(COIN-OPERATED)**



**TOURNAMENT MODEL
(NON-COIN)**



**THE HURRICANE
(COIN-OPERATED)**



**PROFESSIONAL MODEL
(NON-COIN)**

Irving Kaye Co. Inc.

363 Prospect Place, Brooklyn, N.Y. 11238 (212) STerling 3-1200